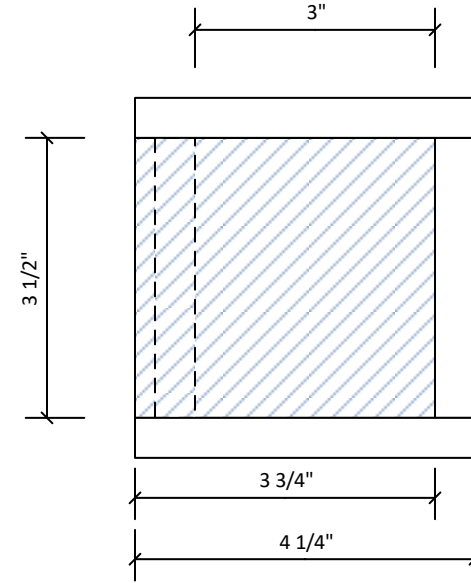
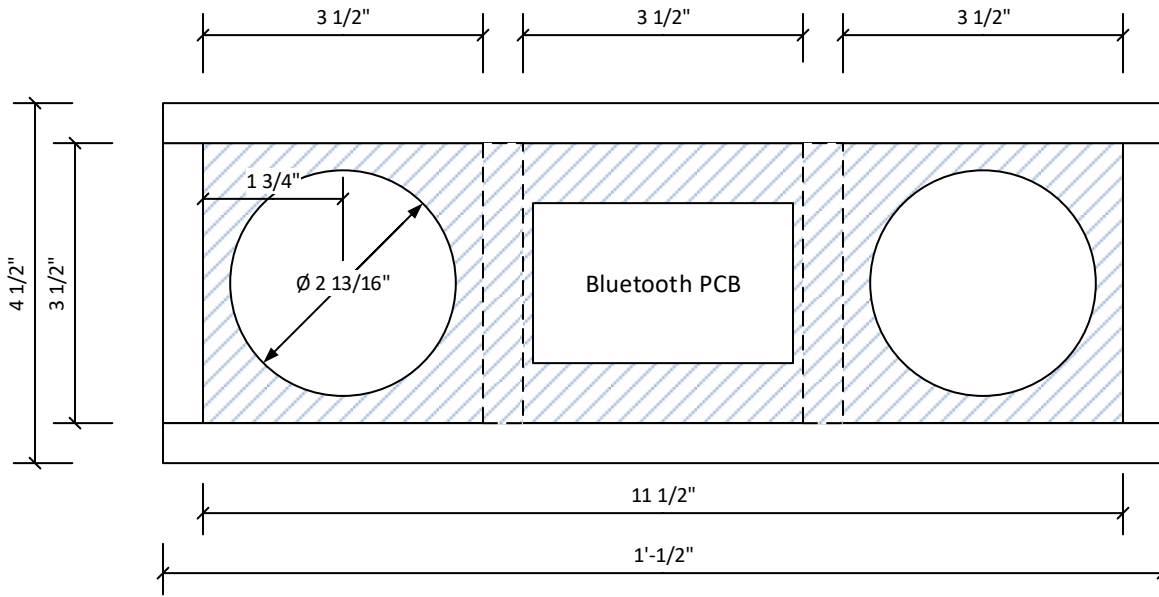
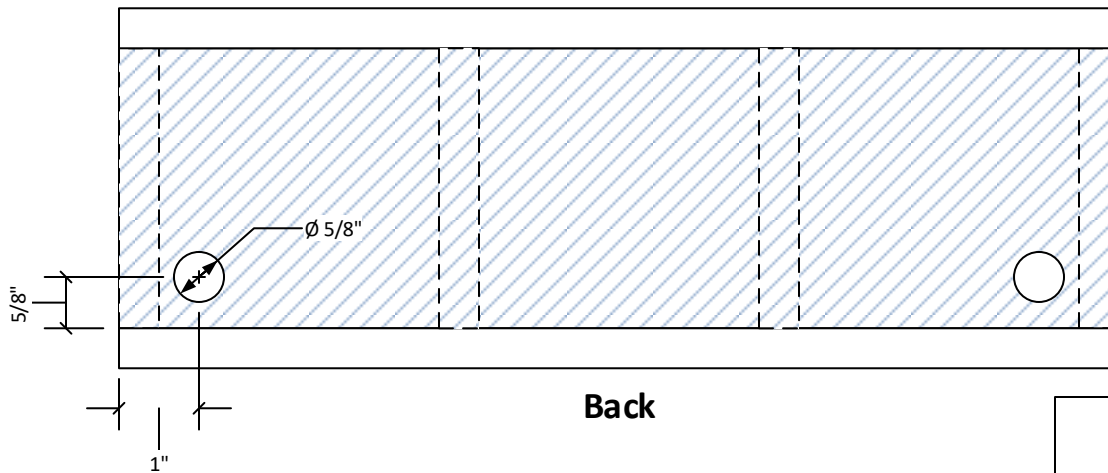


**Front**



**Side**



**Back**

{ The back is one piece, held in place with screws. This allows access to the electronics and speakers. }

ITEM	QTY.	PART NO.	DESCRIPTION
Sides	2		3.5" x 3.75"
Top/Bottom	2		12" x 4.25"
Center Dividers	2		3.5" x 3"
Front	1		11.5" x 3.5"
Back	1		12.5" x 3.5"